

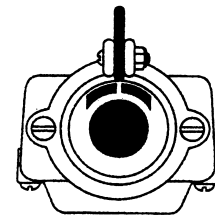
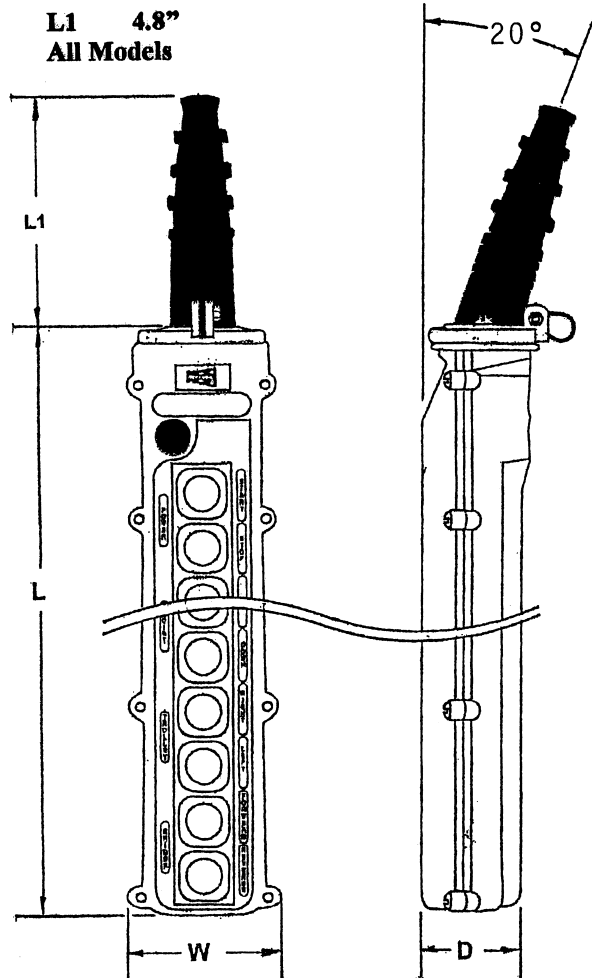


P.O. Box 519	1351 W. Second Street	379 Davis Road, Unit #3
Corona, California 92878-0519	Oconomowoc, Wisconsin 53066	Oakville, Ontario, Canada L6J 2X2
Phone: 909-735-8220; 800-543-3885; 800-735-1922	Phone: 262-567-2288	Phone: 905-844-1791; 800-361-9473
Fax: 909-735-2372; 800-752-6001; 800-735-0857	Fax: 262-567-0857	Fax: 905-844-2533; 800-663-0933

## L SERIES PENDANT STATIONS ASSEMBLY INFORMATION

Refer to Pushbutton Wiring Diagrams  
LS-00W and PPS-99W for Switch  
Contact and Wiring Information.

**CAUTION**  
MAKE CERTAIN POWER SUPPLY IS DISCONNECTED BEFORE INSTALLING, REPAIRING, OR WORKING IN THE PROXIMITY OF ANY ELECTRICAL SYSTEM. ONLY QUALIFIED ELECTRICAL PERSONNEL SHOULD INSTALL OR REPAIR THESE PRODUCTS.



### ENCLOSURE OPENING

All 4 models of the L station have the same size enclosure opening. Two clamps sized for different cables are included for internal strain relief.

Catalog Number	Enclosure Type	W Width	D Depth	L Length	Weight Lbs.	Cable Range
L4-S	4 Button Shallow	3.13"	2"	8.25"	.64	.640"-.745"
L6-S	6 Button Shallow			10.5"	.74	.640"-.840"
L8-S	8 Button Shallow			12.88"	.88	.745"-.890"
L10-S	10 Button Shallow			15.25"	.96	.840"-.890"
L4-D	4 Button Deep	3.13"	2.63"	8.25"	.70	.640"-.745"
L6-D	6 Button Deep			10.5"	.80	.640"-.840"
L8-D	8 Button Deep			12.88"	.92	.745"-.890"
L10-D	10 Button Deep			15.25"	1.04	.840"-.890"

Multi-step cord grip will adapt to 8 conductor to 24 conductor round cables by cutting to the steps illustrated on the back page. Each enclosure comes with the multi-step cord grip, internal cable clamp, strain relief hook, plain black boots, and legend plate sheet.

## Legend Plate Set L-LPS

(A set provided with each enclosure)

UP	HOIST	START	LIGHTS
DOWN	AUX HOIST	STOP	HORN
RAISE	TROLLEY	ON-OFF	SLOW
LOWER	BRIDGE	PUSH-ON-OFF	FAST
NORTH	MAGNET	E-STOP	INCHING
SOUTH	INTERLOCK	POWER	A-B
EAST	FRONT	LIFT	A-BOTH-B
WEST	REAR	DROP	A-AB-B
FORWARD	OPEN	IN	ENGAGE
REVERSE	CLOSE	OUT	DISENGAGE
RIGHT	LEFT		

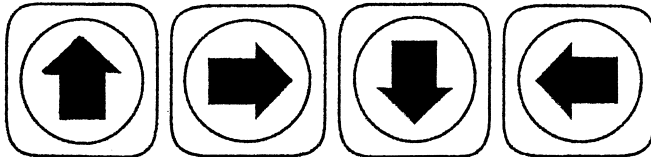
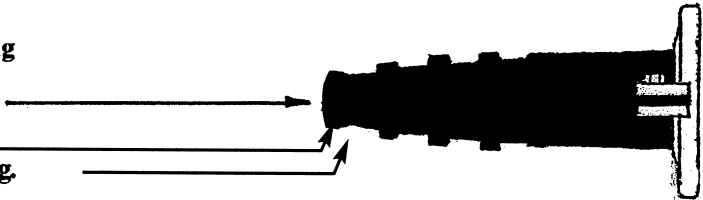
### MULTI-STEP CORD GRIP

#### Cutting Directions for Cable Size Opening

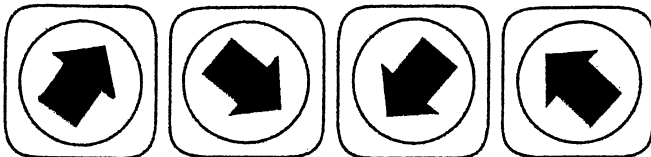
**RPC-816 fits in the end opening. No cut.**

**RPC-1216 fits in the first landing.**

**RPC-1616 & 2416 fit in the second landing.**



Straight-Arrow Boot #L-B90 shown rotated in 90° increments to achieve an up, down, left or right direction.



Angle-Arrow Boot #L-B45 shown rotated in 90° increments to achieve forward and reverse directions.

**Plain black boots are standard on the 'L' station enclosures. Arrow boots are available at no added cost but must be specified at the time of order. Red and green boots are supplied with either the LS-A or LS-M start-stop switches.**