



345 Adams Circle  
 Corona, CA 92882  
 Phone: 800-735-1922  
 Fax: 800-735-0857

1351 W. Second Street  
 Oconomowoc, WI 53066  
 Phone: 262-567-2288  
 Fax: 262-567-0857

379 Davis Road  
 Oakville, Ontario, CN L6J262  
 Phone: 905-844-1791  
 Fax: 905-844-2533

# J SERIES      PUSH BUTTON INSERTS      RPS SERIES      PSW SERIES

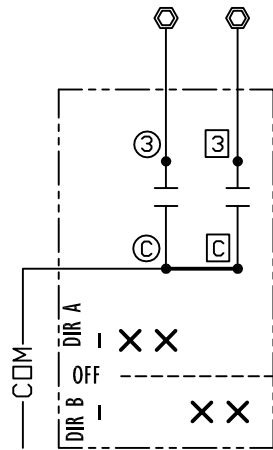
## SCHEMATIC & OPERATIONAL DIAGRAMS

(MULTI-SPEED INSERTS ARE ALL PROGRESSIVE STEP EXCEPT PB-BBM)

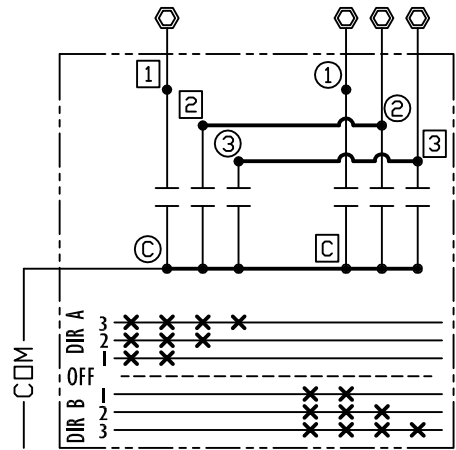
**⚠ WARNING**  
 MAKE CERTAIN POWER SUPPLY IS DISCONNECTED BEFORE INSTALLING, REPAIRING, OR WORKING IN THE PROXIMITY OF ANY ELECTRICAL SYSTEM. ONLY QUALIFIED ELECTRICAL PERSONNEL SHOULD INSTALL OR REPAIR THESE PRODUCTS.

**NOT DESIGNED FOR DC CIRCUITS**

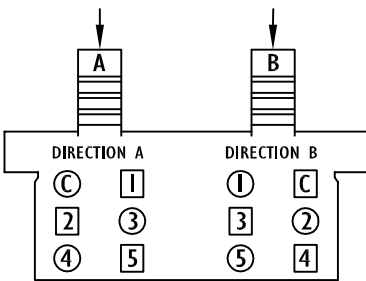
MECHANICAL INTERLOCK MODELS PB-1B, PB-3B, PB-5B, ETC. USE THE SAME WIRING DIAGRAM AS THEIR RESPECTIVE "A" MODEL.



**PB-1A  
1 - SPEED INSERT**

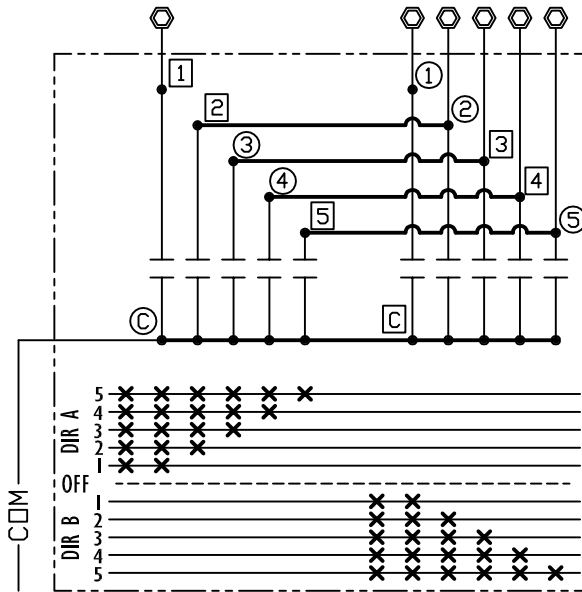


**PB-3A  
MULTI - SPEED INSERT  
3 - SPEED WIRING**

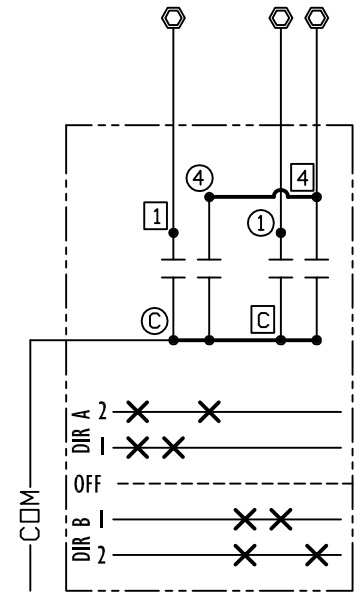


□ FRONT SIDE TERMINALS (DIR A)  
 ○ BACK SIDE TERMINALS (DIR B)

**TYPICAL PB  
TERMINAL  
LAYOUT**



**PB-5A  
MULTI - SPEED INSERT  
5 - SPEED WIRING**



**PB-BBM  
2 - SPEED WIRING**

**NOTES:**

1. TERMINALS FOR SINGLE AND MULTI-SPEED PUSH BUTTON INSERTS ARE NOT ALL FOUND ON THE SAME SIDE OF THE PUSH-BUTTON TERMINAL BLOCK.
2. THE NON-MECHANICAL SWITCHES SHOULD BE ELECTRICALLY INTERLOCKED IN THE CONTROL PANEL THROUGH THE REVERSING CONTACTOR.

**PUSH-BUTTON INSERT RATING: 125 VAC, ONE AMP CONTINUOUS PER CONTACT**

# PUSH BUTTON INSERTS

## J SERIES      RPS SERIES      PSW SERIES

### SCHEMATIC & OPERATIONAL DIAGRAMS

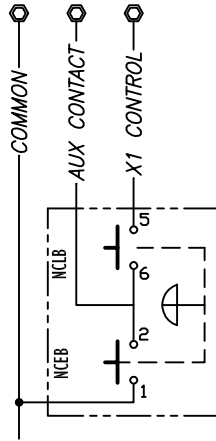
## ⚠ WARNING

MAKE CERTAIN POWER SUPPLY IS DISCONNECTED BEFORE INSTALLING, REPAIRING, OR WORKING IN THE PROXIMITY OF ANY ELECTRICAL SYSTEM. ONLY QUALIFIED ELECTRICAL PERSONNEL SHOULD INSTALL OR REPAIR THESE PRODUCTS.

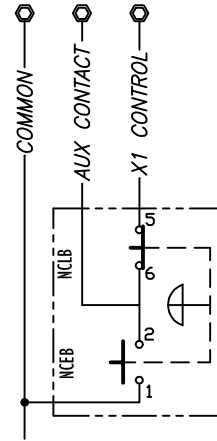
NOT DESIGNED FOR  
DC CIRCUITS

### 3 POSITION E-STOP

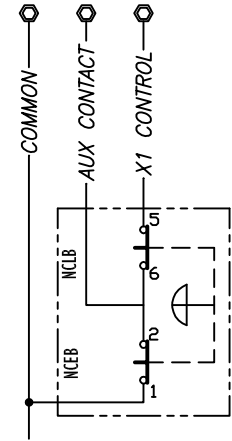
**POSITION 1 = OFF (DOWN)**



**POSITION 2 = RUN (CENTER)**

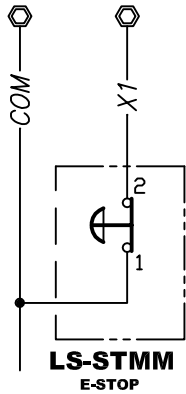


**POSITION 3 = START (PULL - MOMENTARY)**

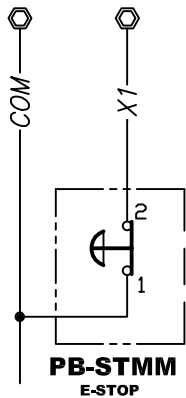


**LS-STMM-A E-STOP WITH MOMENTARY START**

### E-STOP

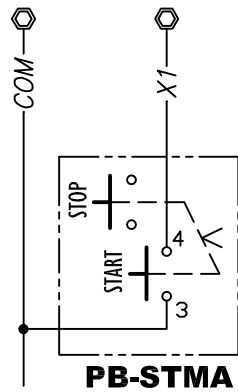


**LS-STMM  
E-STOP**

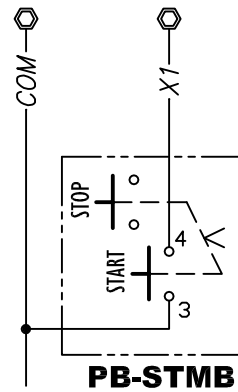


**PB-STMM  
E-STOP**

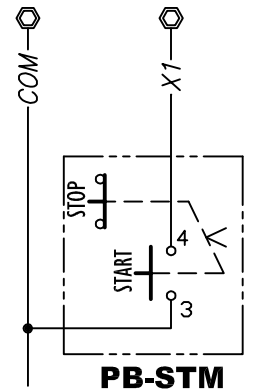
### MAINTAINED START/STOP INSERTS



**PB-STMA**

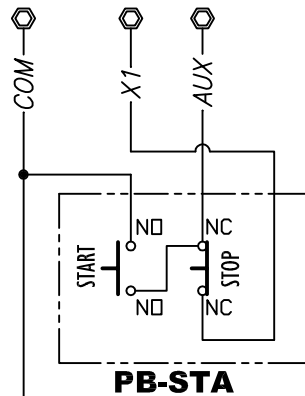


**PB-STMB**

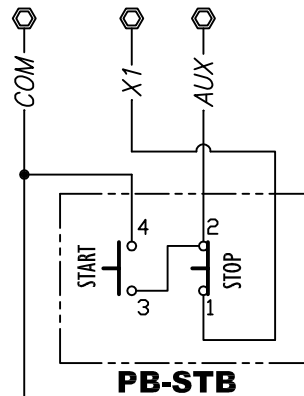


**PB-STM**

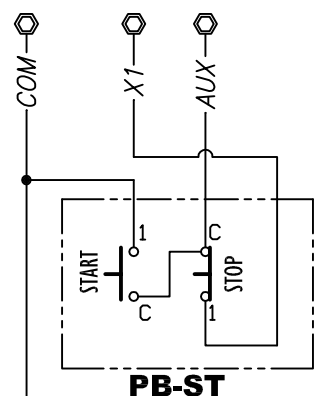
### MOMENTARY START/STOP INSERTS



**PB-STA**



**PB-STB**



**PB-ST**

**PUSH-BUTTON INSERT RATING: 125 VAC, ONE AMP CONTINUOUS PER CONTACT**