



P.O. Box 519	1351 W. Second Street	379 Davis Road, Unit #3
Corona, California 92818-0519	Oconomowoc, Wisconsin 53066	Oakville, Ontario, Canada L6J 2X2
Phone: 909-735-8220; 800-543-3885; 800-735-1922	Phone: 262-567-2288	Phone: 905-844-1791; 800-361-9473
Fax: 909-735-2372; 800-752-6001; 800-735-0857	Fax: 262-567-0857	Fax: 905-844-2533; 800-663-0933

## ASSEMBLY INSTRUCTIONS — PUSH BUTTON STATIONS K & RPB-SERIES PENDANTS

### INSTRUCTIONS

1. Peel off the backing of the desired labels and press into the label cavities on the station face. Press down for adhesion.
2. Measure the end of the cable and remove the cable jacket back for proper wire length and insert through the cord grip and grommet. On the K model the cord grip can be cut to match the cable size.
3. Strip the wires back 1/4" and connect to the proper terminals. Tighten securely.
4. On the RPB model, connect the green ground to the backplate with a #6 screw.
5. Secure the back cover to the station after wiring is complete.
6. Check the cord grip for fit depending on station used.

### IMPORTANT

1. Follow the wiring diagrams supplied by the manufacturer or crane builder closely.
2. After safety precautions are followed, check all crane motions to insure that wiring is correct.

### SWITCH CONTACT RATING

Dow P/N	Description	Voltage	AC Current
RB-1	Single-Speed	28	20
	1 HP 125 VAC	125	20
	2 HP 250 VAC	250	20
RB-2A	Two-Speed Cumulative	28	10
RB-2	Two-Speed Non Cumulative	28	10
	1/3 HP 125 VAC	125	10
	1/2 HP 250 VAC	250	10

### Switches Are Listed By Underwriters Laboratories, Inc. And C.S.A.

The switches supplied with this station are rated at currents substantially higher than those normally encountered in control applications. It should be noted, however, that electrical failures in associated equipment can cause currents to flow which far exceed even these high ratings.

See Overleaf for Wiring Diagrams

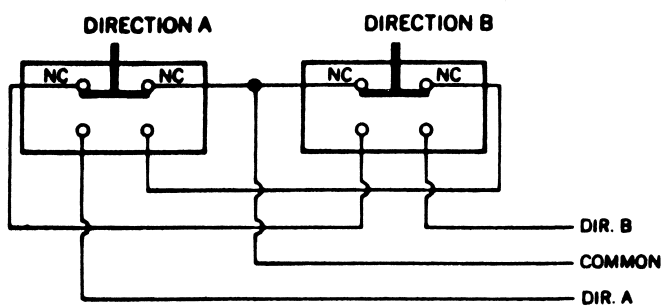
### CAUTION

MAKE CERTAIN POWER SUPPLY IS DISCONNECTED BEFORE INSTALLING, REPAIRING, OR WORKING IN THE PROXIMITY OF ANY ELECTRICAL SYSTEM. ONLY QUALIFIED ELECTRICAL PERSONNEL SHOULD INSTALL OR REPAIR THESE PRODUCTS.

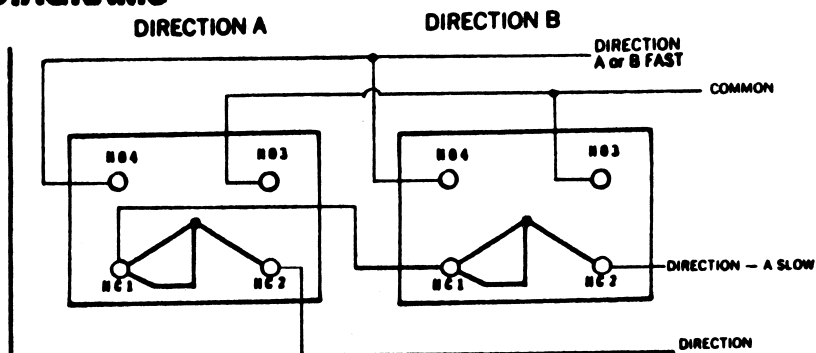


P.O. Box 519	1351 W. Second Street	379 Davis Road, Unit #3
Corona, California 92818-0519	Oconomowoc, Wisconsin 53066	Oakville, Ontario, Canada L6J 2X2
Phone: 909-735-8220; 800-543-3885; 800-735-1922	Phone: 262-567-2288	Phone: 905-844-1791; 800-361-9473
Fax: 909-735-2372; 800-752-6001; 800-735-0857	Fax: 262-567-0857	Fax: 905-844-2533; 800-663-0933

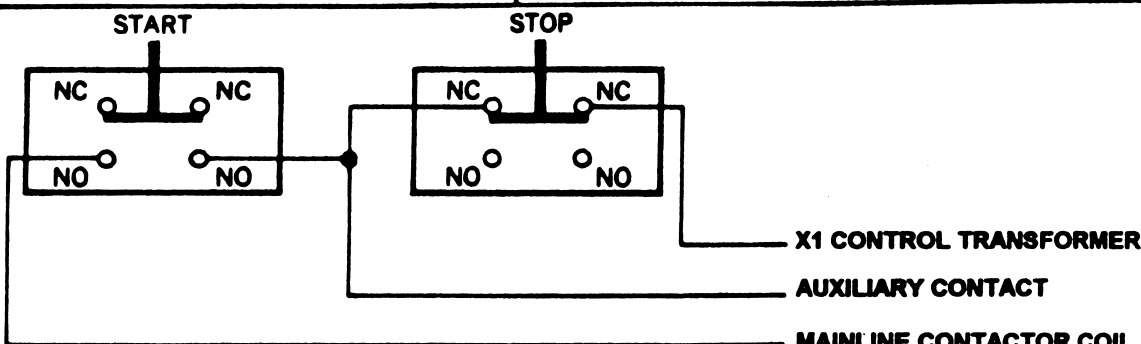
## K & RPB — SERIES PUSH BUTTON STATIONS WIRING DIAGRAMS



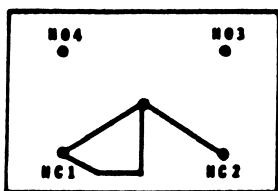
**ELECTRICALLY INTERLOCKED  
SINGLE SPEED SWITCHES RB-1**



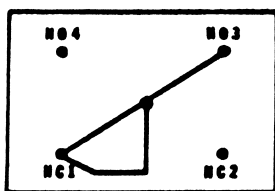
**CAT. #RB-2A TWO SPEED CUMULATIVE SWITCH**



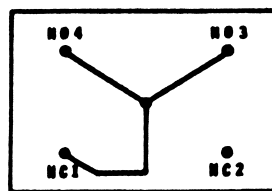
**MOMENTARY START-STOP USING SINGLE SPEED SWITCHES RB-1**



FREE POSITION

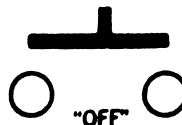
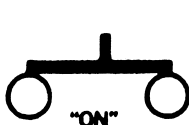
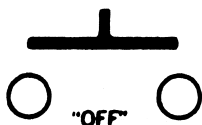


1ST STEP



2ND STEP

**CAT. #RB-2A TWO SPEED CUMULATIVE SWITCH (LICON TYPE)**



**CAT. #RB-6A PUSH/PUSH TYPE "ON-OFF" SWITCH  
(ALTERNATED SEQUENCE FOR MAINTAINED CONTACTS)**

### CAUTION

MAKE CERTAIN POWER SUPPLY IS DISCONNECTED BEFORE INSTALLING, REPAIRING, OR WORKING IN THE PROXIMITY OF ANY ELECTRICAL SYSTEM. ONLY QUALIFIED ELECTRICAL PERSONNEL SHOULD INSTALL OR REPAIR THESE PRODUCTS.