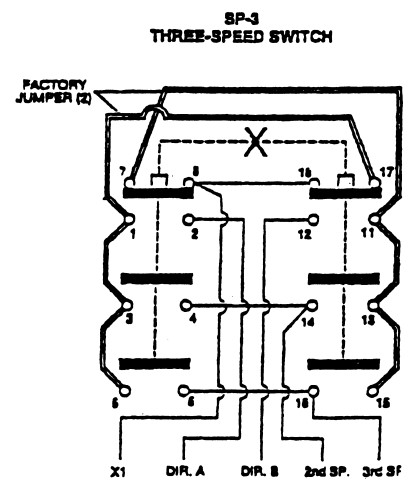
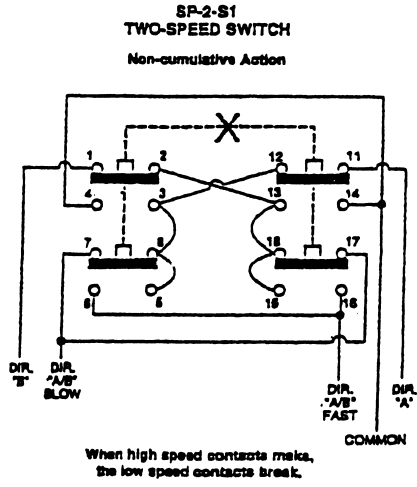
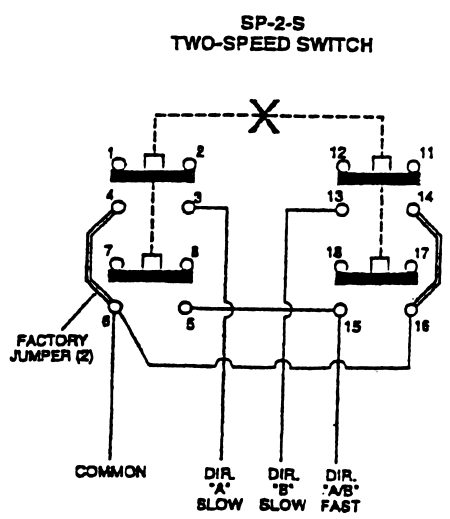
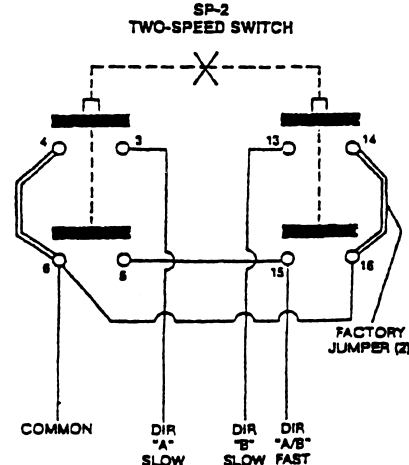
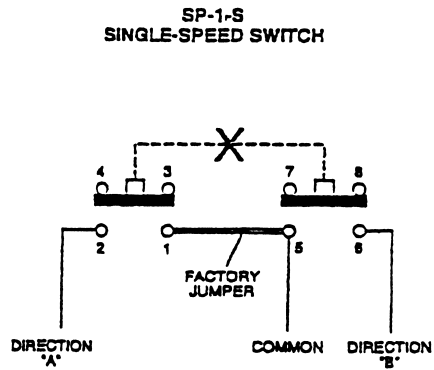
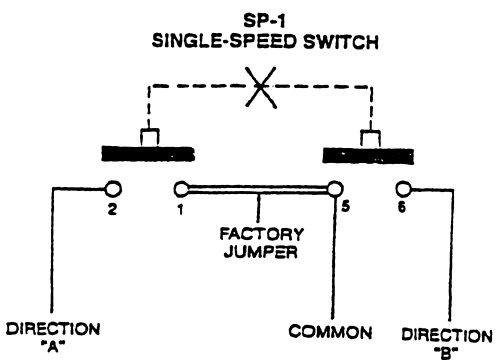
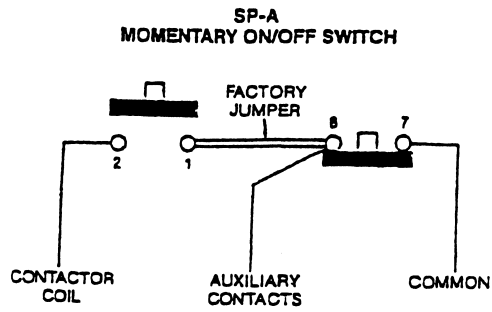
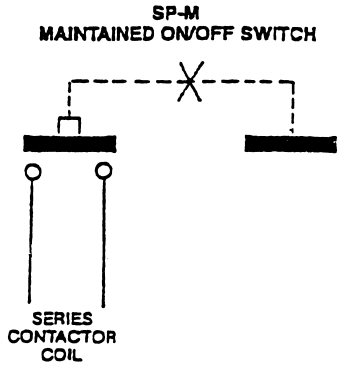


P.O. Box 519	1351 W. Second Street	379 Davis Road, Unit #3
Corona, California 92878-0519	Oconomowoc, Wisconsin 53066	Oakville, Ontario, Canada L6J 2X2
Phone: 909-735-8220; 800-543-3885; 800-735-1922	Phone: 262-567-2288	Phone: 905-844-1791; 800-361-9473
Fax: 909-735-2372; 800-752-6001; 800-735-0857	Fax: 262-567-0857	Fax: 905-844-2533; 800-663-0933

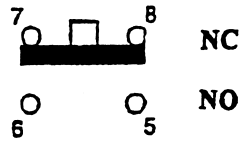
PPS-Series Push Button Station Wiring Diagrams

CAUTION

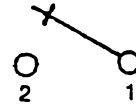
MAKE CERTAIN POWER SUPPLY IS DISCONNECTED BEFORE INSTALLING, REPAIRING, OR WORKING IN THE PROXIMITY OF ANY ELECTRICAL SYSTEM. ONLY QUALIFIED ELECTRICAL PERSONNEL SHOULD INSTALL OR REPAIR THESE PRODUCTS.



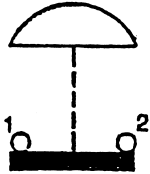
1. Be sure to follow closely the wiring diagrams furnished by the manufacturer of equipment to be controlled.
2. When installed, check all motions of equipment to ensure that the pendant push button station has been wired properly.



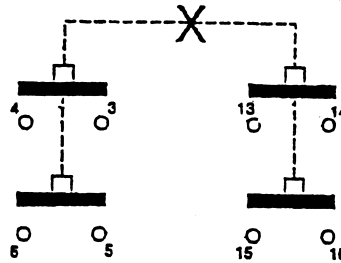
PT-MS
Momentary
Switch



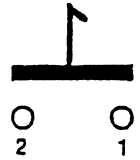
PT-6
Toggle
Switch



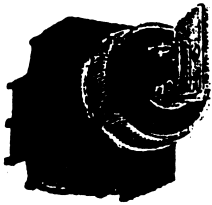
PT-STMM
E-STOP
Push-OFF
Twist Pull-ON



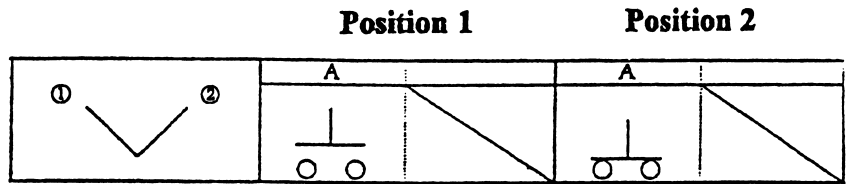
PT-MS-2A
2-DPST Switches
Mech. Interlock



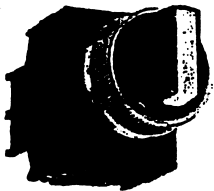
PT-6A
Alternating
Switch
Push-ON
Push-OFF



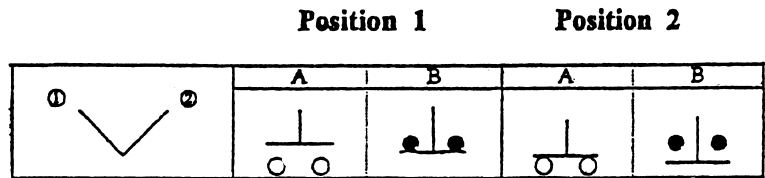
PT-7
Key
Switch



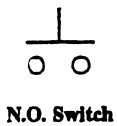
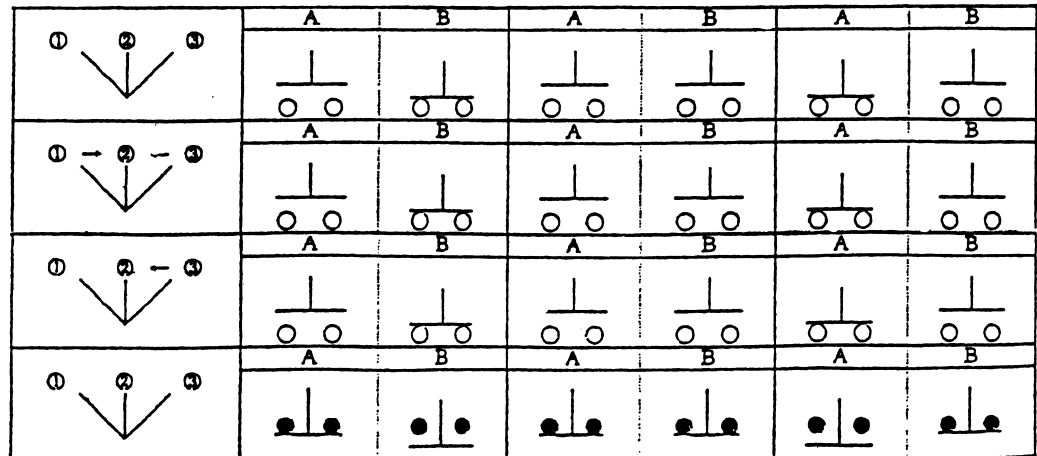
From the front of the operator the A switch is on the left and the B switch is on the right.



PT-11



Position 1 Position 2 Position 3



PT-13



PT-18

PT-12

The arrow indicates spring return to the center on release of the operator.

The A & B switch designations are for left or right switch block location not nameplate identification.